

# SC-ALS

## DC Signal Alarm Setter

### DESCRIPTION

SP-200 Series Micro Processor 16 -Bit A/D Converter  
가 Alarm Setter, 11 socket

가 DC24V 2 , 3  
Analog ( 4 -20mA ) 가



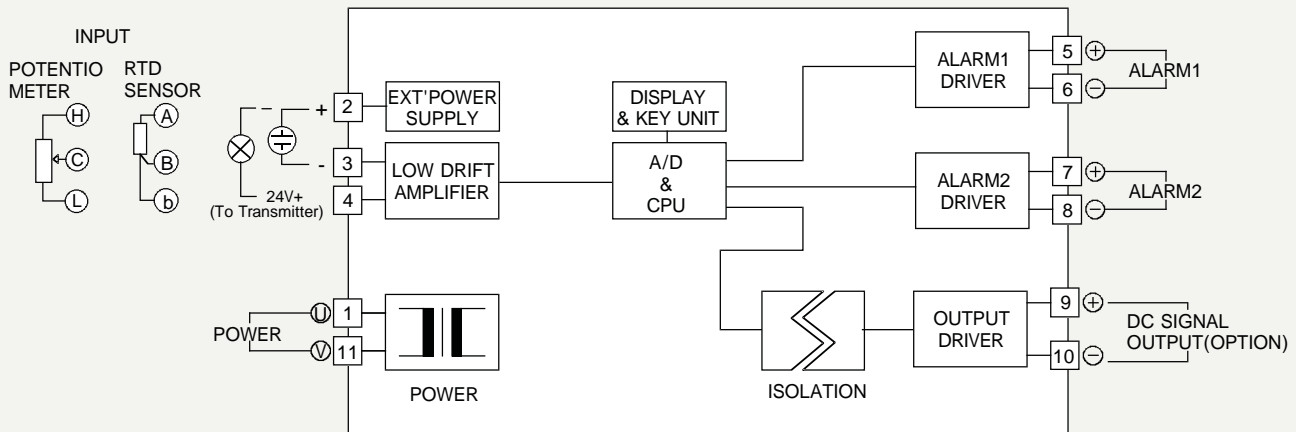
### SPECIFICATIONS

AC 110V / 220V ( ) 50 - 60Hz			
5VA, MAX			
0-60 °C 0-90% RH			
	DC mA	DC 0-20mA , DC 4-20mA	Display Range : -1999 to 9999
	DC V, DC mV	DC 0-10V, DC 1-5V, 0-100mV	Display Range : -1999 to 9999
	Pt 100Ω	-200°C to 600 °C	Display Range : -199.9 to 600.9
	Potentiometer	100 - 100 kΩ 3 wire type	Display Range : -1999 to 9999
<b>Alarm</b>	A1	H1 L1 (AL1, AL2)	2-Alarm
	A2	H2 (AL1, AL2)	2-Alarm
	A3	L2 (AL1, AL2)	2-Alarm
	A4	H2 L2 (AL1, AL2, AL3, AL4)	4-Alarm
	A5	H1 L3 (AL1, AL2, AL3, AL4)	4-Alarm
	A6	H3 L1 (AL1, AL2, AL3, AL4)	4-Alarm
	A7	H4 (AL1, AL2, AL3, AL4)	4-Alarm
	A8	L4 (AL1, AL2, AL3, AL4)	4-Alarm
250V 2A MAX			
0.36 inch sevensegment LED display ( 4 Digit )			
4-20mA DC, V ( 1-5V DC, 0-10V DC )			
± 0.1% of Full Scale			
Key			
100 mSEC ( 16 Bit A/D Conversion )			
DC24V / 50mA			
11 Pin Socket type			

# SC-ALS

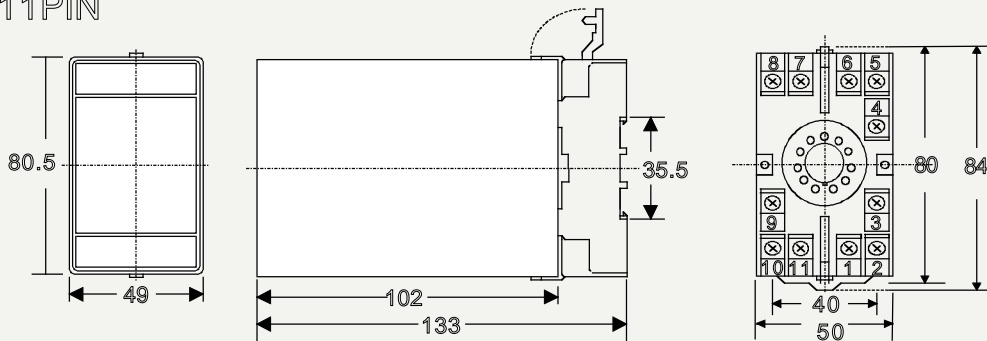
## DC Signal Alarm Setter

### WIRING



### DIMENSION & CUTOUT SIZE

#### ■ 11PIN



### ORDERING CODE

