

MODEL  
SC-ASC

AC SIGNAL ISOLATION CONVERTER

■ GENERAL SPECIFICATION

Type : Plug-in  
 Size : 51(W)\* 83(H)\* 135(D) mm (Include 11p socket)  
 Case : Black ABS plastic case  
 Wiring : M3.5 Screw Terminal  
 Isolation : Power to Input to Output1 to Output2  
 Adjustment : Zero & Span  $\pm 20\%$  of full scale

■ INPUT SIGNAL SPECIFITION

AC voltage range : 500V max  
 AC current rangg : 5A max  
 Signal shape : resemblance to sign wave  
 Frequency : 50~60Hz.

■ OUTPUT SIGNAL SPECIFITION

DC Output voltage :  $\pm 12V$  max.  
 Load Resistance

Output range	Resistance
0~10 mV	1 K ohm or more
0~100 mV	1 K ohm or more
0~1 V	1 K ohm or more
0~5 V	2 K ohm or more
0~10V	4 K ohm or more
-10V ~ 10V	4 K ohm or more

DC Current : 0~20mA  
 Load Resistance

Output range	Resistance
0~1 mA	15 K ohm or less
0~10 mA	1.5 K ohm or less
0~20 mA	750 ohm or less
1~5 mA	3 K ohm or less
4~20mA	750 ohm or less

■ PERFORMANCE

Accuracy :  $\pm 0.2\%$  F.S  
 Temp coefficient :  $\pm 0.015\%$  /  $^{\circ}C$   
 Response time : 0.5 Sec or less ( 0-90% )  
 Insulation resistance : 100 M ohm with 500VDC  
 Dielectric strength : 1500VAC at 1 minute  
 ( Input to output to power )

■ INSTALLATION

Operating temp. :  $-5^{\circ}C$  to  $55^{\circ}C$   
 Operating humidity : 90% RH max.  
 ( none condensing )

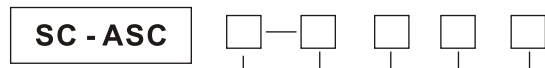
Power supply  
 AC : 110V or 220V 60Hz  $\pm 10\%$ , approx 3VA  
 DC : 18 ~ 30V  $\pm 10\%$ , approx 3VA  
 Power selection : AC110V/220V select switch  
 Mounting : Wall or DIN rail



본변환기 SC-ASC는 AC전압이나 전류신호를 받아서 그에 비례한 절연된 DC신호를 출력하는 제품입니다. ( 용도: AC전압, 전류측정용 등 )

The model SC-ASC accepts AC signal-voltage or current- and provides isolated proportional DC outputs.

■ ORDERING CODE



- TYPE
  - NONE : 1 Output
  - 2 : 2 Output
- INPUT
 

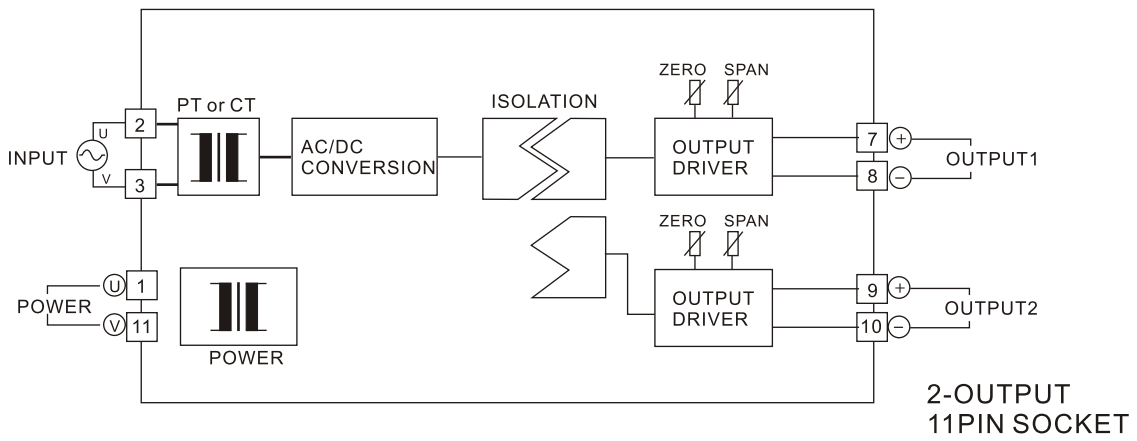
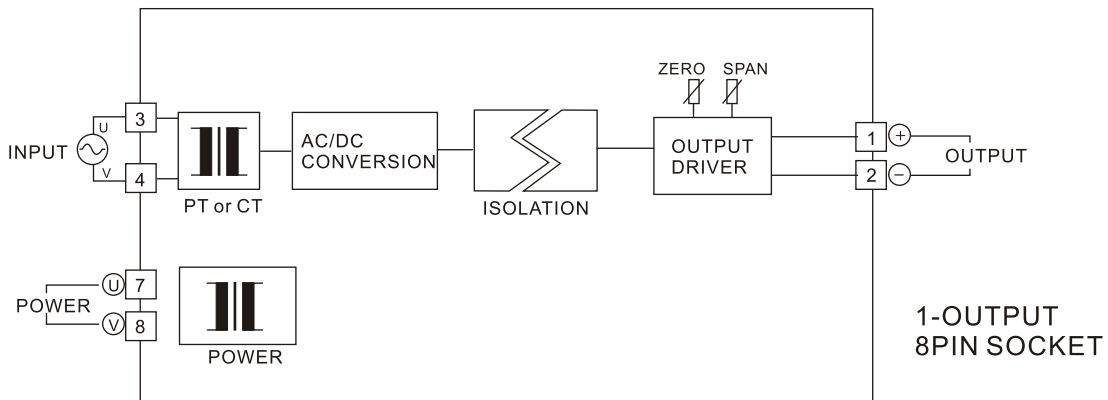
VLOTAGE	CURRENT
1 : 0~110V	1 : 0~1A
2 : 0~220V	2 : 0~5A
3 : 0~380V	
4 : 0~440V	
5 : Others	
- OUTPUT 1
 

1 : 0~10mV	A : 0~1 mA
2 : 0~100mV	B : 0~10mA
3 : 0~1V	C : 0~20mA
4 : 0~5V	D : 1~5mA
5 : 0~10V	E : 4~20mA
6 : 1~5V	O : Others
7 : -10~10V .	
- OUTPUT 2
  - N : no output 2
  - The codes are same as output 1
- POWER
  - X : AC110V or 220V 50-60Hz
  - Y : DC24V
  - Z : Other special power

AC SIGNAL ISOLATION CONVERTER

MODEL  
SC-ASC

CONNECTION CIRCUIT DIAGRAM



DIMENSION

