

MODEL
SC-FDC

FREQUENCY TO DC ISOLATION CONVERTER

■ GENERAL SPECIFICATION

Type : Plug-in
 Size : 51(W)* 83(H)* 135(D) mm (Include 11p socket)
 Case : Black ABS plastic case
 Wiring : M3.5 Screw Terminal
 Isolation : Power to Input to Output1 to Output2
 Adjustment : Zero & Span ± 20% of full scale

■ INPUT SIGNAL SPECIFITION

Input signal : frequency (pulse)
 Type :
 Open collector
 Volatag pulse: square or sine wave
 Dry contact: 12VDC/4mA
 Current pulse : 250Ω resistance
 Cut off bias voltage adjustment: 0~6V max.
 Minimum stabile frequency: 1Hz
 DC Current range : 50mA max.
 DC Current resistance : 1000 ohm max.

■ OUTPUT SIGNAL SPECIFITION

DC Output voltage : ± 12V max.
 Load Resistance

Output range	Resistance
0~10 mV	1 K ohm or more
0~100 mV	1 K ohm or more
0~1 V	1 K ohm or more
0~5 V	2 K ohm or more
0~10V	4 K ohm or more
-10V ~ 10V	4 K ohm or more

DC Current : 0~20mA
 Load Resistance

Output range	Resistance
0~1 mA	15 K ohm or less
0~10 mA	1.5 K ohm or less
0~20 mA	750 ohm or less
1~5 mA	3 K ohm or less
4~20mA	750 ohm or less

■ PERFORMANCE

Accuracy : ± 0.1% F.S
 Temp coefficient : ± 0.015% / °C
 Response time : 0.5 Sec or less (0-90%)
 Insulation resistance : 100 M ohm with 500VDC
 Dielectric strength : 1500VAC at 1 minute
 (Input to output to power)

■ INSTALLATION

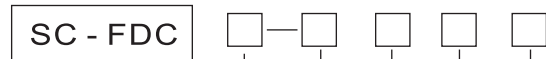
Operating temp. : -5°C to 55°C
 Operating humidity : 90% RH max.
 (none condensing)
 Power supply
 AC : 110V or 220V 60Hz ±10%, approx 3VA
 DC : 18 ~ 30V ±10%, approx 3VA
 Power selection : AC110V/220V select switch
 Mounting : Wall or DIN rail



본 변환기 SC-FDC는 다양한 종류의 Pulse신호를 입력하여 그에 비례한 절연된 DC신호를 출력하는 제품입니다. (용도: 속도제어, 유량측정, 수배전주파수 측정 등)

The model SC-FDC accepts the vairous periodic pulse type signal (square or sine wave, magnetic sensor signal etc.) and provides isolated proportional DC outputs

■ ORDERING CODE

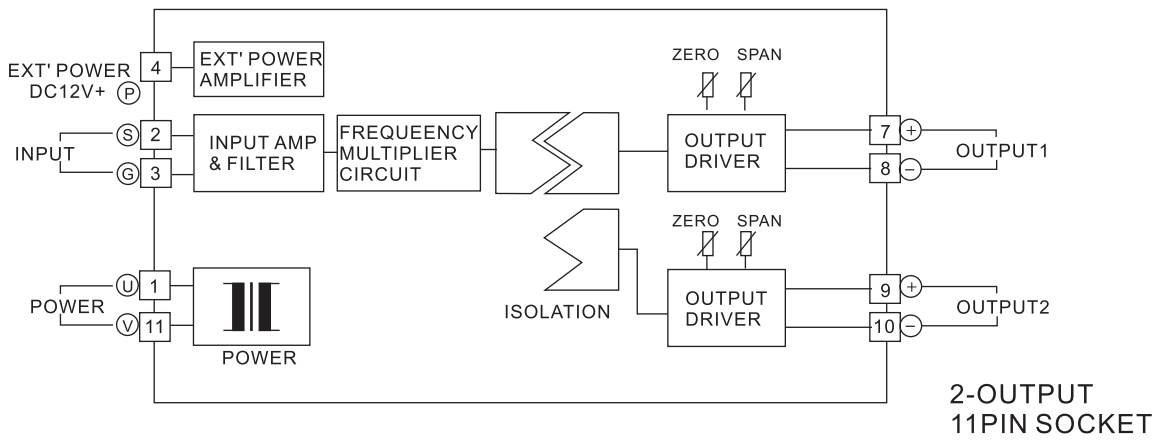
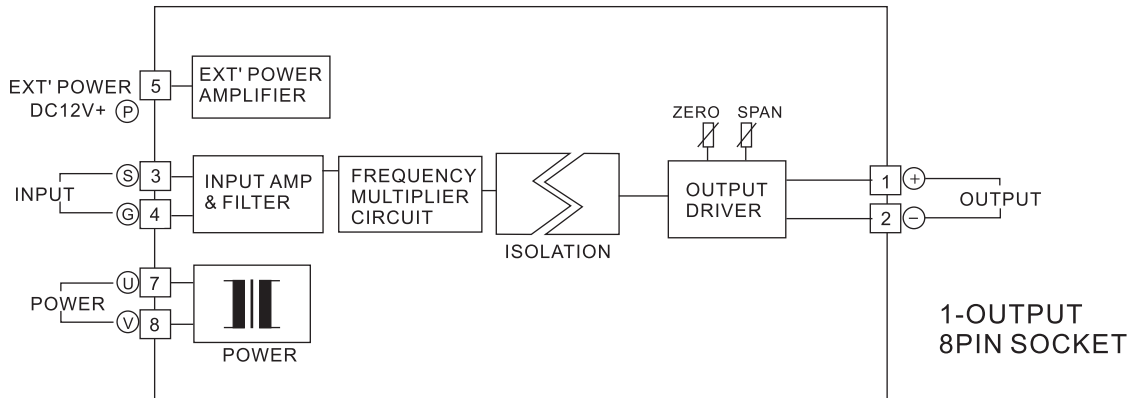


- TYPE _____
 NONE : 1 Output
 2 : 2 Output
- INPUT _____
 1 : Voltage pulse
 2 : Open collector
 3 : Dry contact
 4 : Current pulse
 O : Others
- OUTPUT 1 _____
 1 : 0~10mV A : 0~1 mA
 2 : 0~100mV B : 0~10mA
 3 : 0~1V C : 0~20mA
 4 : 0~5V D : 1~5mA
 5 : 0~10V E : 4~20mA
 6 : 1~5V O : Others
 7 : -10~10V .
- OUTPUT 2 _____
 N : no output 2
 The codes are same as output 1
- POWER _____
 X : AC110V or 220V 50-60Hz
 Y : DC24V
 Z : Other special power

FREQUENCY TO DC ISOLATION CONVERTER

MODEL
SC-FDC

CONNECTION CIRCUIT DIAGRAM



DIMENSION

