

MODEL
SC-ISO

DC SIGNAL ISOLATION CONVERTER

■ GENERAL SPECIFICATION

Type : Plug-in
 Size : 51(W)* 83(H)* 135(D) mm (Include 11p socket)
 Case : Black ABS plastic case
 Wiring : M3.5 Screw Terminal
 Isolation : Power to Input to Output1 to Output2
 Adjustment : Zero & Span $\pm 20\%$ of full scale

■ INPUT SIGNAL SPECIFITION

DC Voltage range : $\pm 300V$ Max
 DC Voltage impedance : 1M ohm min
 DC Current range : 50mA max.
 DC Current resistance : 1000 ohm max.

■ OUTPUT SIGNAL SPECIFITION

DC Output voltage : $\pm 12V$ max.
 Load Resistance

Output range	Resistance
0~10 mV	1 K ohm or more
0~100 mV	1 K ohm or more
0~1 V	1 K ohm or more
0~5 V	2 K ohm or more
0~10V	4 K ohm or more
-10V ~ 10V	4 K ohm or more

DC Current : 0~20mA
 Load Resistance

Output range	Resistance
0~1 mA	15 K ohm or less
0~10 mA	1.5 K ohm or less
0~20 mA	750 ohm or less
1~5 mA	3 K ohm or less
4~20mA	750 ohm or less

■ PERFORMANCE

Accuracy : $\pm 0.1\%$ F.S
 Temp coefficient : $\pm 0.015\%$ / $^{\circ}C$
 Response time : 0.5 Sec or less (0-90%)
 Insulation resistance : 100 M ohm with 500VDC
 Dielectric strength : 1500VAC at 1 minute
 (Input to output to power)

■ INSTALLATION

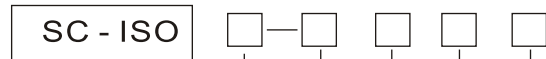
Operating temp. : $-5^{\circ}C$ to $55^{\circ}C$
 Operating humidity : 90% RH max.
 (none condensing)
 Power supply
 AC : 110V or 220V 60Hz $\pm 10\%$, approx 3VA
 DC : 18 ~ 30V $\pm 10\%$, approx 3VA
 Power selection : AC110V/220V select switch
 Mounting : Wall or DIN rail



본변환기 SC-ISO는 DC신호를 입력하여 비례한 절연된 신호를 출력하는 제품입니다.
 (용도: 절연신호전송, 신호변환 및 분배 등)

The model SC-ISO is an DC signal isolation converter that provides isolated proportional DC outputs.

■ ORDERING CODE

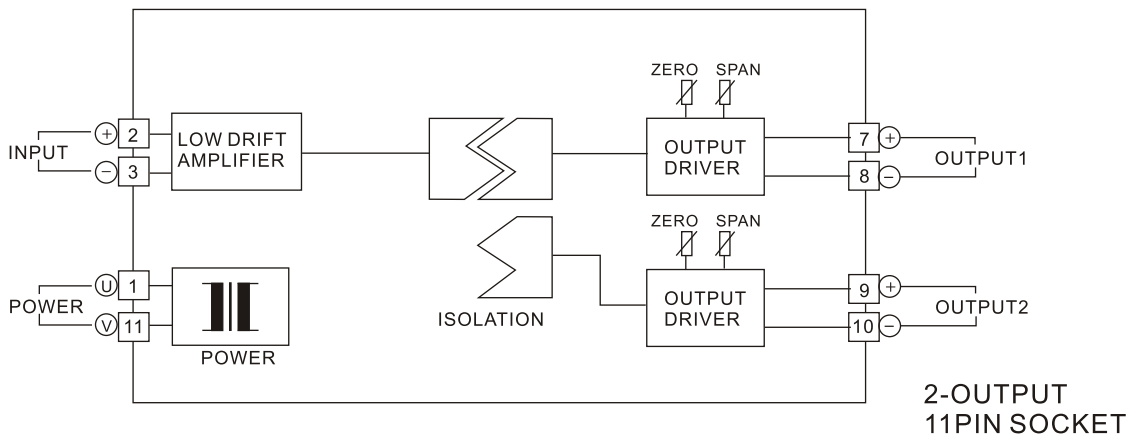
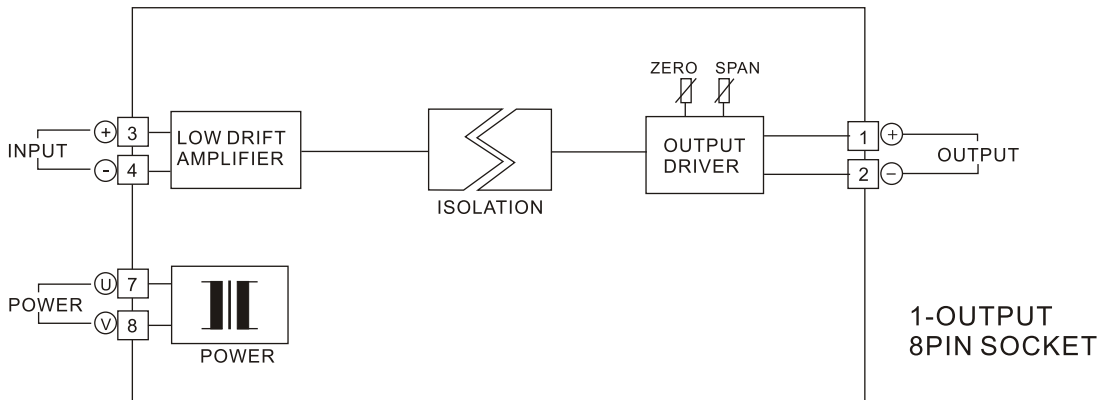


- TYPE
 - NONE : 1 Output
 - 2 : 2 Output
- INPUT
 - 1 : 0~10mV A : 0~1 mA
 - 2 : 0~100mV B : 0~10mA
 - 3 : 0~1V C : 0~20mA
 - 4 : 0~5V D : 1~5mA
 - 5 : 0~10V E : 4~20mA
 - 6 : 1~5V O : Others
 - 7 : -10~10V .
- OUTPUT 1
 - 1 : 0~10mV A : 0~1 mA
 - 2 : 0~100mV B : 0~10mA
 - 3 : 0~1V C : 0~20mA
 - 4 : 0~5V D : 1~5mA
 - 5 : 0~10V E : 4~20mA
 - 6 : 1~5V O : Others
 - 7 : -10~10V .
- OUTPUT 2
 - N : no output 2
 - The codes are same as output 1
- POWER
 - X : AC110V or 220V 50-60Hz
 - Y : DC24V
 - Z : Other special power

DC SIGNAL ISOLATION CONVERTER

MODEL
SC-ISO

CONNECTION CIRCUIT DIAGRAM



DIMENSION

