

MODEL  
SC-RTD

RTD TEMPERATURE ISOLATION CONVERTER

■ GENERAL SPECIFICATION

Type : Plug-in  
 Size : 51(W)\* 83(H)\* 135(D) mm (Include 11p socket)  
 Case : Black ABS plastic case  
 Wiring : M3.5 Screw Terminal  
 Isolation : Power to Input to Output1 to Output2  
 Adjustment : Zero & Span  $\pm 20\%$  of full scale

■ INPUT SIGNAL SPECIFITION

Input type : 2wire or 3wire RTD sensor  
 Sensor type : Pt100 $\Omega$  or Pt1000 $\Omega$ (JIS89 or DIN)  
 Range :  $-200\sim 600\text{ }^{\circ}\text{C}$   
 Sensor power : 5V/1.5mA

■ OUTPUT SIGNAL SPECIFITION

DC Output voltage :  $\pm 12\text{V}$  max.  
 Load Resistance

Output range	Resistance
0~10 mV	1 K ohm or more
0~100 mV	1 K ohm or more
0~1 V	1 K ohm or more
0~5 V	2 K ohm or more
0~10V	4 K ohm or more
-10V ~ 10V	4 K ohm or more

DC Current : 0~20mA  
 Load Resistance

Output range	Resistance
0~1 mA	15 K ohm or less
0~10 mA	1.5 K ohm or less
0~20 mA	750 ohm or less
1~5 mA	3 K ohm or less
4~20mA	750 ohm or less

■ PERFORMANCE

Accuracy :  $\pm 0.1\%$  F.S  
 Temp coefficient :  $\pm 0.015\%$  /  $^{\circ}\text{C}$   
 Response time : 0.5 Sec or less ( 0-90% )  
 Insulation resistance : 100 M ohm with 500VDC  
 Dielectric strength : 1500VAC at 1 minute  
 ( Input to output to power )

■ INSTALLATION

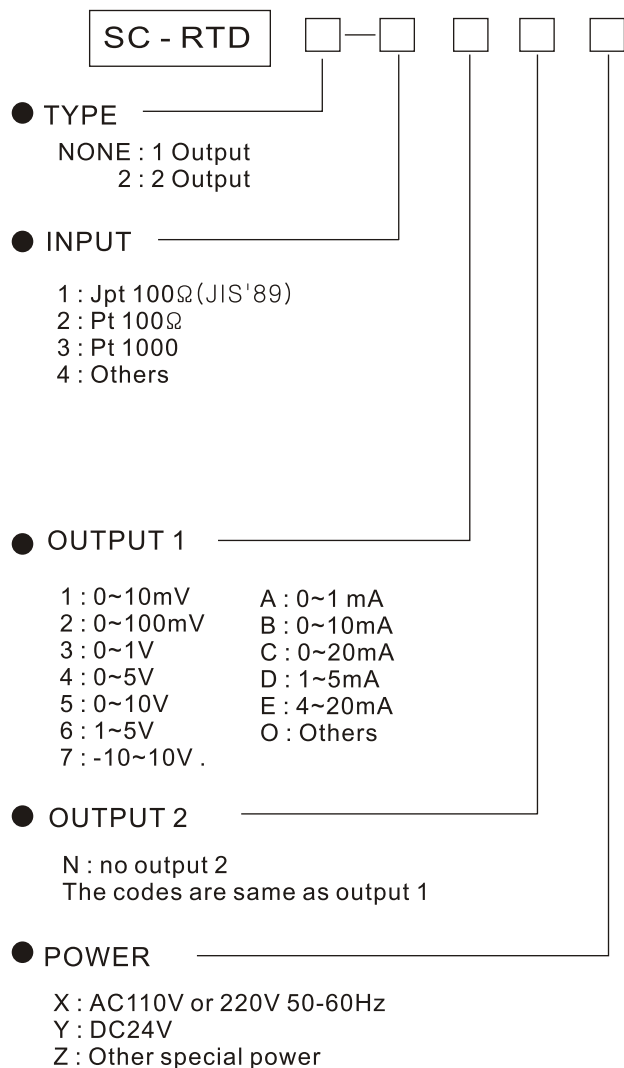
Operating temp. :  $-5\text{ }^{\circ}\text{C}$  to  $55\text{ }^{\circ}\text{C}$   
 Operating humidity : 90% RH max.  
 ( none condensing )  
 Power supply  
 AC : 110V or 220V 60Hz  $\pm 10\%$ , approx 3VA  
 DC : 18 ~ 30V  $\pm 10\%$ , approx 3VA  
 Power selection : AC110V/220V select switch  
 Mounting : Wall or DIN rail



본변환기 SC-RTD는 RTD 센서의 신호를 입력하여 비례한 절연된 DC신호를 출력하는 제품입니다. ( 용도: 온도신호전송, 절연 및 분배 등 )

The model SC-RTD Accepts RTD temperature sensor signal, and provides isolated DC outputs.

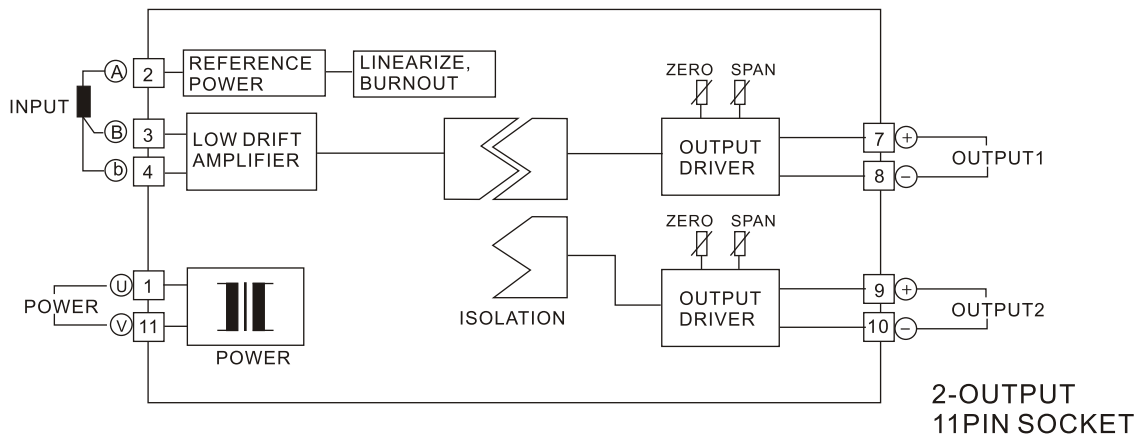
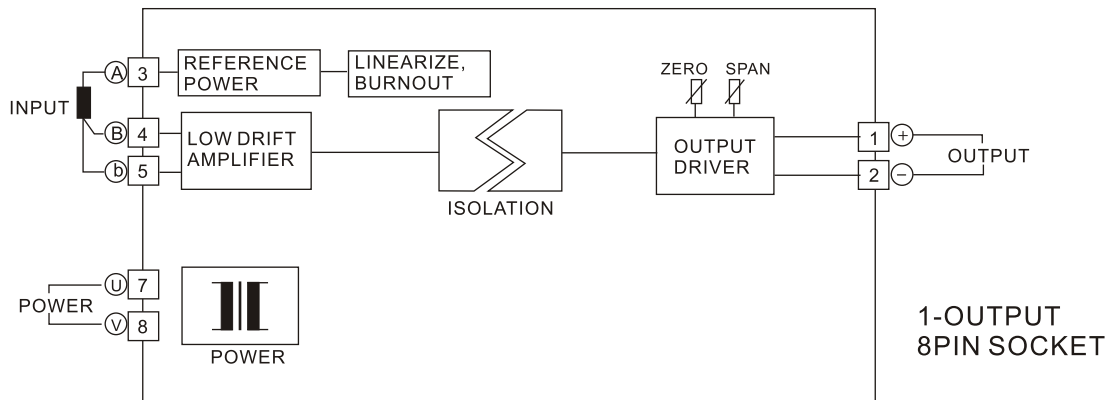
■ ORDERING CODE



RTD TEMPERATURE ISOLATION CONVERTER

MODEL  
SC-RTD

CONNECTION CIRCUIT DIAGRAM



DIMENSION

