

전극식 레벨 스위치 SPE

ELECTRODE TYPE LEVEL SWITCH

SPE SERIES

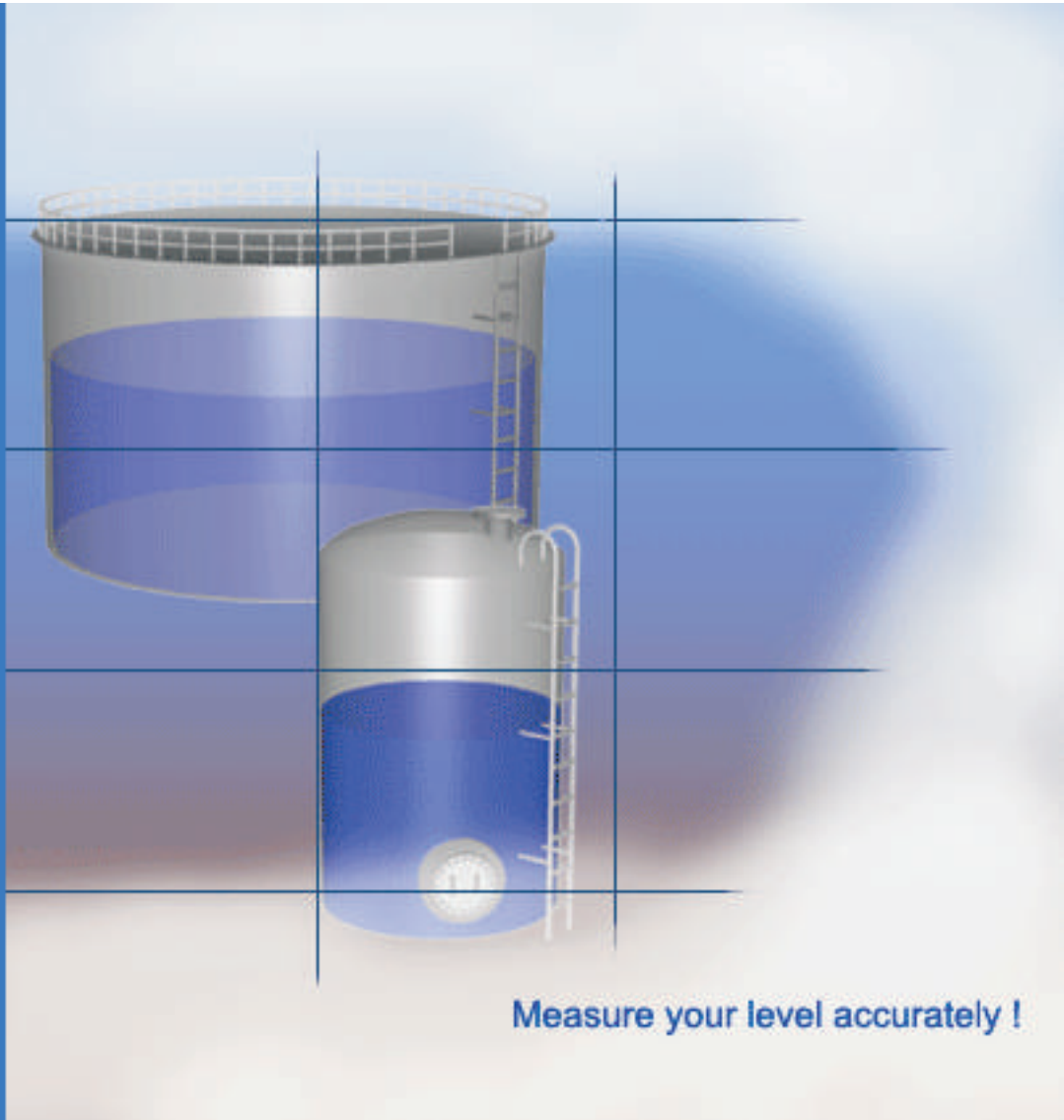
가

가

가

가

Electrode Type Level Switch



Measure your level accurately !

SPAN SENSING
Standard Process Analysis & Sensing

스펜 센싱

636-62, H-204
Tel : 02)2634-9336 Fax : 02) 2634-9337
e-mail : sales@spansensing.com
web : www.spansensing.com



전극식 레벨 스위치 SPE

ELECTRODE TYPE LEVEL SWITCH

SPE SERIES

SPE Specifications

동작조건 (Operating condition)

측정체 (Measured object)

(Liquid temperature) - 5 °C to +70 °C

(Ambient Temp.) - 10 °C to +60 °C

(Operating pressure) Max. 10 kg / cm²

(Humidity) Max. 50% R.H.

(Electrode Length) Std. 2m

(Mounting) , , 가 가

(Materials)

(Terminal Head) Poly Carbonate

Connection (Screw) Poly carbonate

(Flange) PVC

(Electrode) SUS 304 + PE Tubing

(Connector) Brass + Nickel

(Enclosure & Connections)

(Terminal Head) IP65 (NEMA 4X)

(Screw conn') (Std.) - 2" PT

(Flange conn') (Std.) : JIS 10K 80A FF JIS 10K 100A FF

OPTION : ANSI, DIN SIZE & RATING

(Electrical specifications)

(Glands) PF 1/2"

SPCE Controller Specifications



(Power) AC110V / 220V

(Output) Contact

(Ambient Temp.) - 10 °C to +60 °C

(Switch type) Relay

(Contact rating) 250V 5A

(Case Materials) ABS Plastic

(Mounting) (Wall mount)

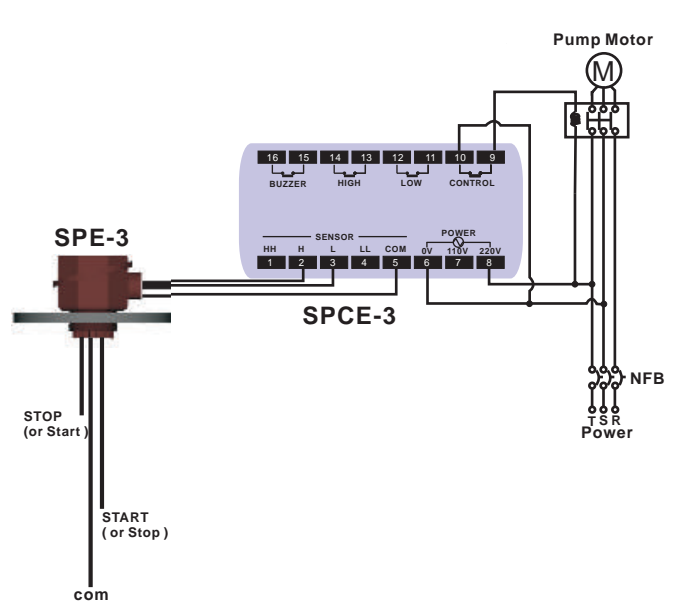
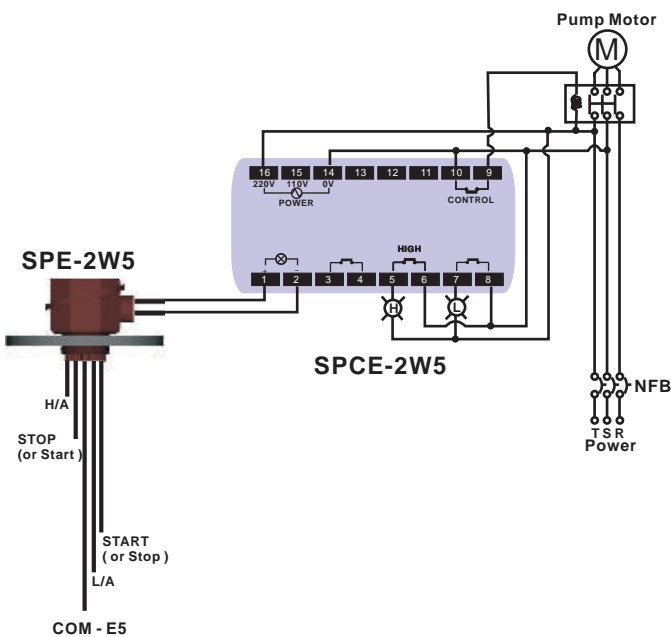
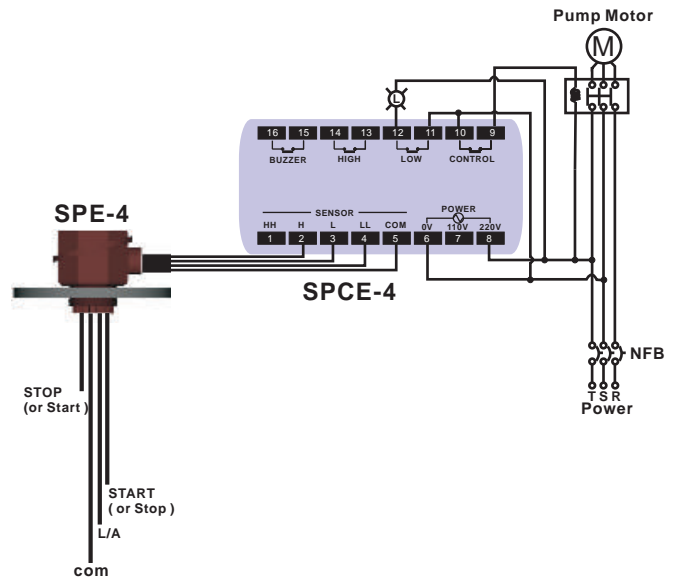
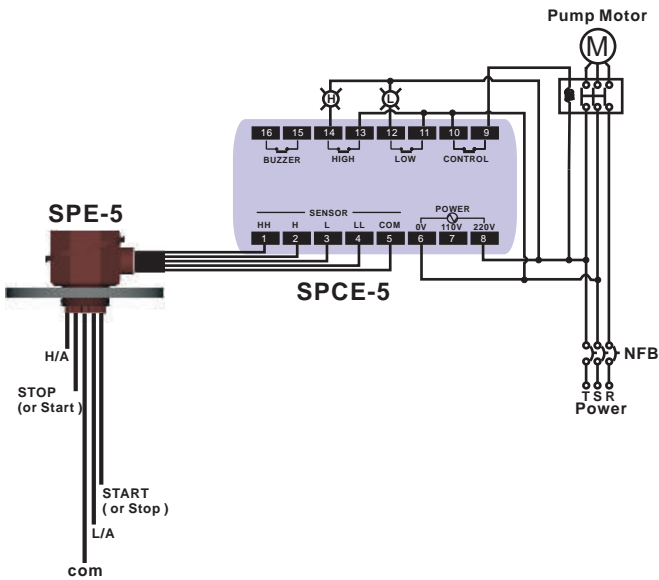
(Dimensions) 129 x 89 x 66 (mm)

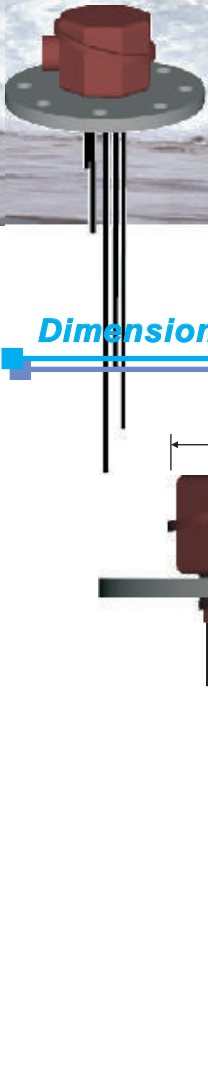


전극식 레벨 스위치 SPE ELECTRODE TYPE LEVEL SWITCH SPE SERIES



SPCE-5	High Alarm, On&Off, Low Alarm	SPE-5
SPCE-4	On&Off, High Alarm or Low Alarm	SPE-4
SPCE-3	On&Off	SPE-3
SPCE-2W5	High Alarm, On&Off, Low Alarm	SPE-2W5
SPCE-2W4	On&Off, High Alarm or Low Alarm	SPE-2W4
SPCE-2M	2 motor step control	SPE-5
SPCE-2W2M	2 wire, 2 motor step control	SPE-2W5



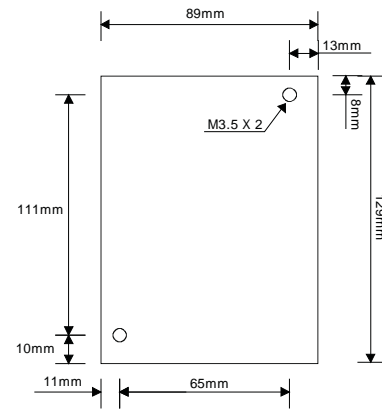
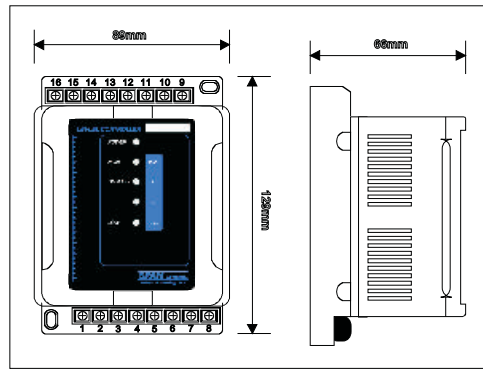
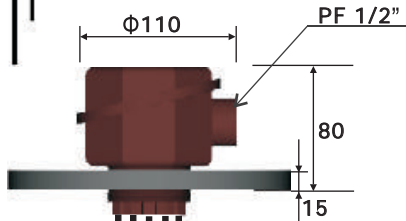


전극식 레벨 스위치 SPE

ELECTRODE TYPE LEVEL SWITCH

SPE SERIES

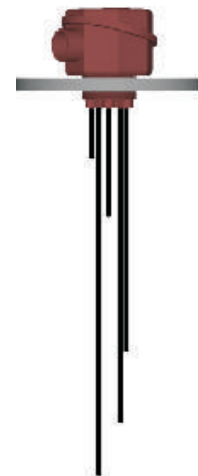
Dimensions



Ordering Code

Electrode Type Level Switches

Model	SPE
Q' ty of Electrodes	
3	_____ 3
4	_____ 4
5	_____ 5
2 5	_____ 2W5
Connection (Flange or Screw Size)	
2" PT Screw	_____ S2
KS (JIS) 80A 10K FF	_____ KS3
KS (JIS) 100A 10K FF	_____ KS4
Electrode Length	
Standard 2 m	_____ 2



Ordering Code Example

SPE-5-S2-2