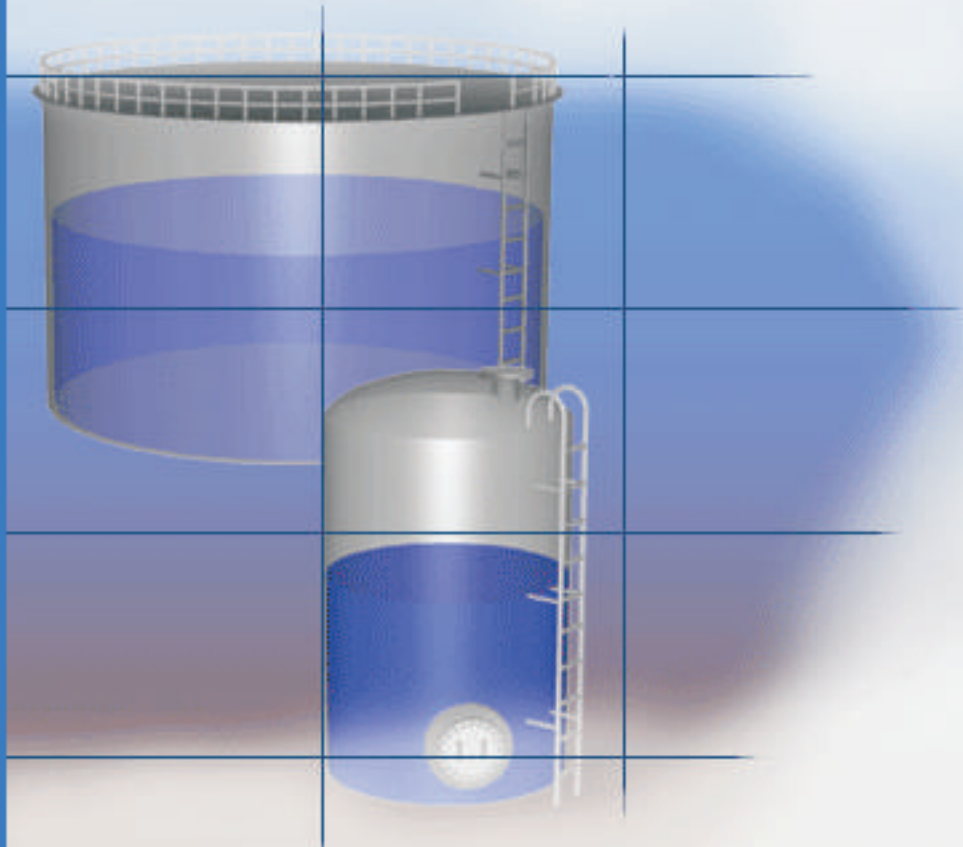


마그네틱 Float형 레벨 스위치 SPF
MAGNETIC FLOAT LEVEL SWITCH
SPF SERIES



1 4
 Poly Carbonate (), IP65
 2" PT 가
 SUS304, SUS316, PP, PVC, PTFE 가
 가

Magnetic Float Type
 Level Switch



Measure your level accurately !

SPAN SENSING
 Standard Process Analysis & Sensing

스펜 센싱

636-62, H-204
 Tel : 02)2634-9336 Fax : 02) 2634-9337
 e-mail : sales@spansensing.com
 web : www.spansensing.com

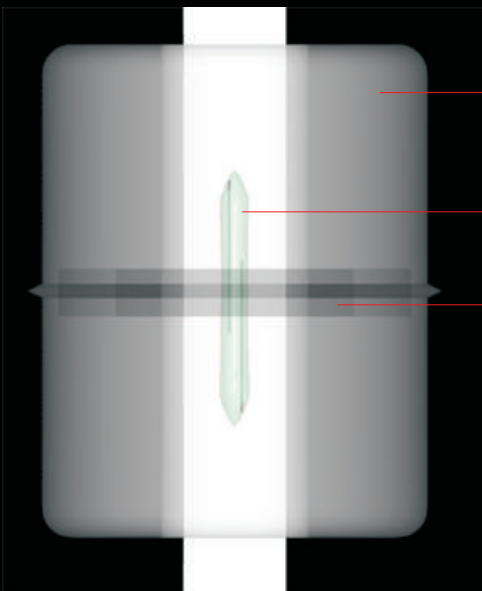
마그네틱 Float형 레벨 스위치 SPF MAGNETIC FLOAT LEVEL SWITCH SPF SERIES

Description

Magnetic Float Guide Pipe	SPF	Float
SUS316 PTFE Tubing	(REED) SUS304 가	PVC, PP
가	가	가
	4	4



Operating Principle



(Permanent magnet)

가

가

가

가

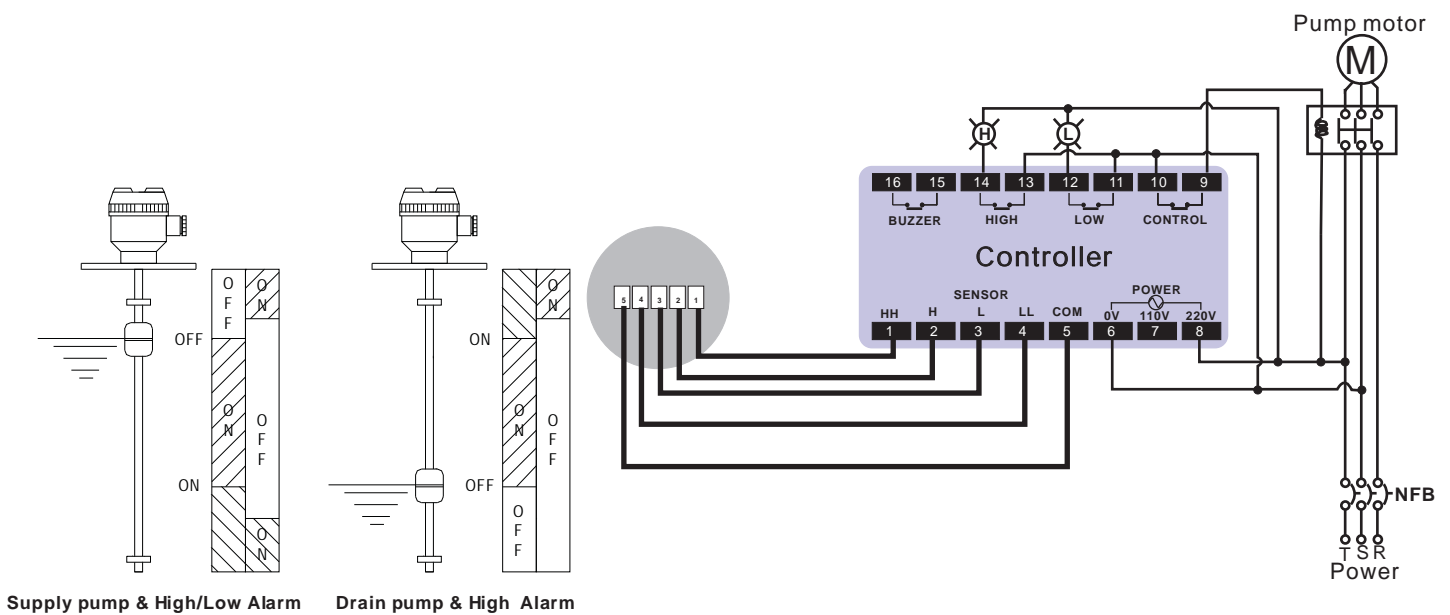
마그네틱 Float형 레벨 스위치 SPF MAGNETIC FLOAT LEVEL SWITCH SPF SERIES

Features & Benefits

- ★ 1 4
- ★ Poly Carbonate (), IP65
- ★ 2"PT 가
- ★ SUS304, SUS316, PP, PVC, PTFE 가
- ★ 가
- ★ 가

- ★ 가
- ★ 4m 가
- ★ 가
- ★ 가
- ★ 가

Part #	Wetted Parts Materials
SPF-S4	SUS304
SPF-S6	SUS316
SPF-P0	Poly Propylene
SPF-P3	PVC
SPF-P4	PTFE



마그네틱 Float형 레벨 스위치 SPF MAGNETIC FLOAT LEVEL SWITCH SPF SERIES

Specifications

(Operating condition)

(Measured object)	
(Liquid temperature)	-20°C to +100°C
(Ambient temperature)	-20°C to +60°C
(Max. Pressure)	Max. 10kg/cm ²
(Specific gravity)	0.8 g/cm ³
(Viscosity)	Max. 600 cP
가 (Rod length)	Max. 4m
, (Dead Zone)	60 mm
(Application)	, , ,

(Materials)

(Terminal Head)	Poly Carbonate, Aluminum (Ex version)	
Connection (Screw)	SUS304 (Std.), SUS316, PVC, PP, PTFE (Option)	
(Flange)	SUS304 (Std.), SUS316, PVC, PP, PTFE (Option)	
가 (Guide Pipe)	SUS304 (Std.), SUS316, PVC, PP, PTFE (Option)	
(Float)	SUS304 (Std.), SUS316, PVC, PP, PTFE (Option)	
(Stopper)	SUS304 (Std.), SUS316, PVC, PP, PTFE (Option)	

(Enclosure & Connections)

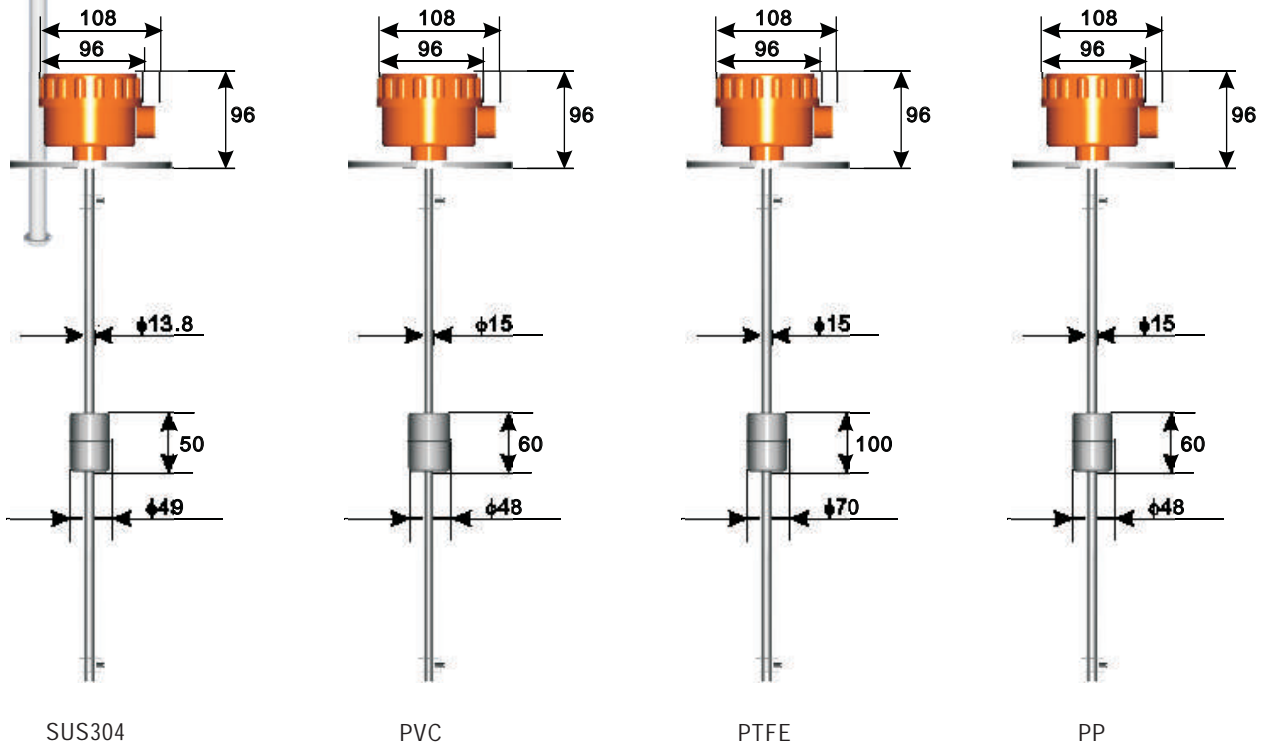
(Terminal Head)	IP65 (NEMA 4X)	
가 (Guide Pipe)		
(Screw conn')	(Std.) - 2" PT	
(Flange conn')	(Std.) : JIS 10K 80A 6t	JIS 10K 100A 6t
	OPTION : ANSI, DIN	SIZE & RATING

(Electrical specifications)





(Cable)	5 - shield wire CVV - SB
(Glands)	PF 1/2"
(Contact voltage)	24VDC 0.5A, 110VAC 1A ,
(Contact type)	SPST

마그네틱 Float형 레벨 스위치 SPF MAGNETIC FLOAT LEVEL SWITCH SPF SERIES

Dimensions



Float Lists

	Dimension	Minimum Dead band	Minimum Specific gravity	Minimum Nozzle Flange Size	Materials
	O.D. : 49 Φ I.D. : 15.3 Φ H : 50mm	50mm	0.8 g/cm ³	50A	SS 304 SS 316
	O.D. : 48 Φ I.D. : 20 Φ H. : 60mm	50mm	0.8 g/cm ³	50A	PVC
	O.D. : 48 Φ I.D. : 25 Φ H. : 60mm	50mm	0.8 g/cm ³	50A	PP
	O.D. : 70 Φ I.D. : 21 Φ H. : 100mm	80mm	0.8 g/cm ³	80A	PTFE

마그네틱 Float형 레벨 스위치 SPF MAGNETIC FLOAT LEVEL SWITCH SPF SERIES

Ordering Code

Magnetic Float Type Level Transmitter Model SPF Series

Model **SPF**

Contact numbers

1	_____	1 (E)*) Reed	4	, Float 1	SPF-4
2	_____	2 (E)	Reed	4	, Float 4	SPF-4E
3	_____	3 (E)				
4	_____	4 (E)				

Head Housing Materials

Plastic (Poly Carbonate)	_____	PL
Aluminum	_____	AL

Wetted Part Materials

SUS 304	_____	S4
SUS 316	_____	S6
Poly Propylene	_____	P0
PVC	_____	P3
PTFE	_____	P4

Connection (Flange or Screw Size)

2" PT Screw	_____	S2
KS(JIS) 80A (Thickness 6t)	_____	K3
KS(JIS) 100A (Thickness 6t)	_____	K4
KS (JIS) 80A 10K FF	_____	KS3
KS (JIS) 100A 10K FF	_____	KS4
KS (JIS) 125A 10K FF	_____	KS5
KS (JIS) 150A 10K FF	_____	KS6

Contact Points

L1	_____	_____	mm
L2	_____	_____	mm
L3	_____	_____	mm
L4	_____	_____	mm

Ex- Certification

Explosion-proof type (Ex)	_____	Ex
None	_____	N

Ordering Code Example

SPF-4-PL-S4-K4-300-200-200-100-N

